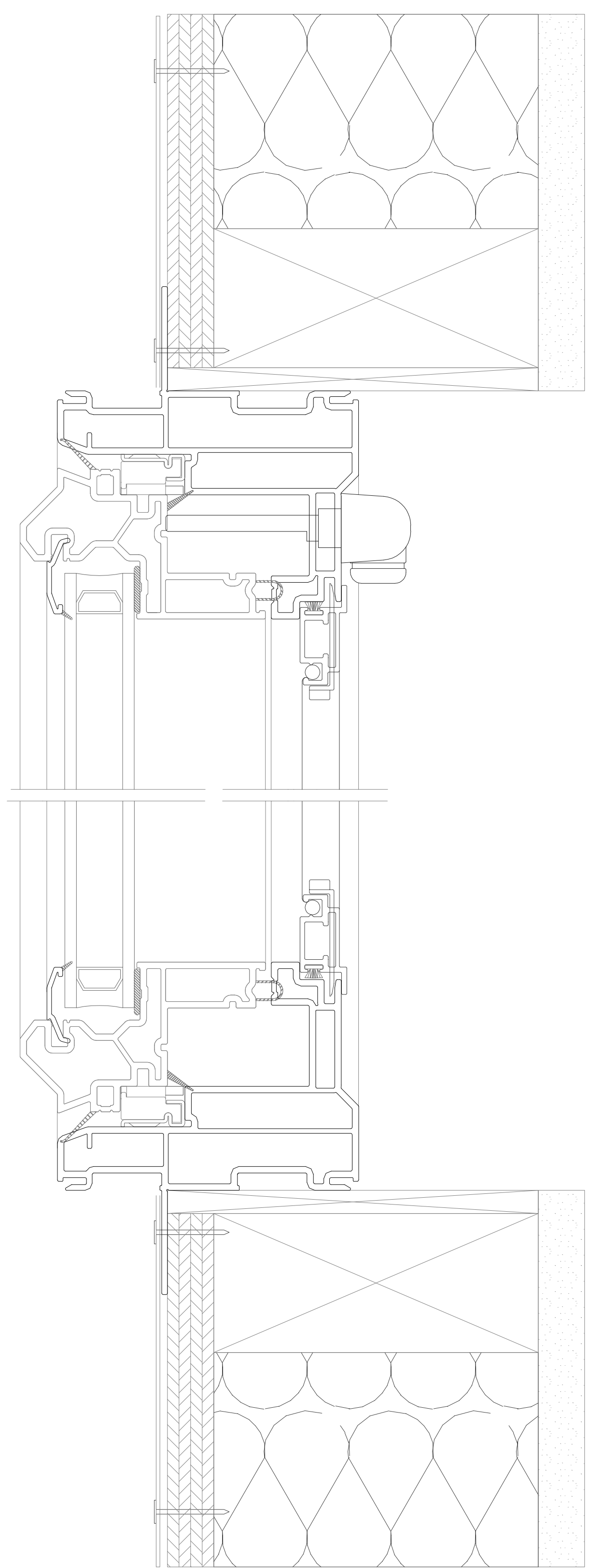
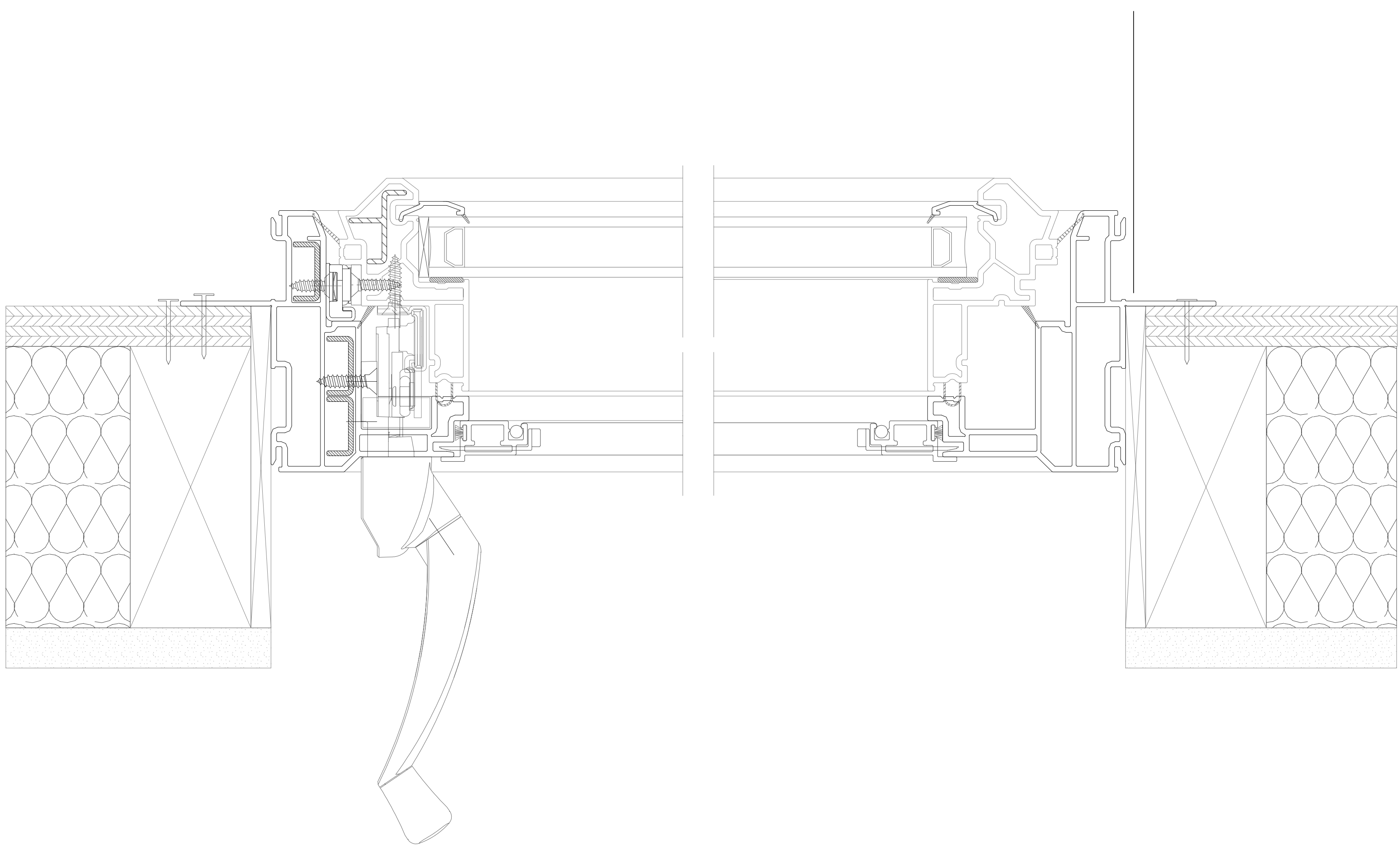


CAD MAINTAINED. CHANGES SHALL BE INCORPORATED BY THE DESIGN ACTIVITY.



THIS DOCUMENT CONTAINS PROPRIETARY INFORMATION. DO NOT COPY OR DISCLOSE THIS INFORMATION WITHOUT THE EXPRESS WRITTEN CONSENT OF DECEUNNICK NORTH AMERICA. DECEUNNICK NORTH AMERICA RESERVES THE RIGHT TO CHANGE THIS DRAWING AND ANY ASSOCIATED DOCUMENTS.

UNLESS OTHERWISE SPECIFIED DIM. ARE IN INCHES ALL UNTOLERANCED DIMENSIONS ARE BASIC INTERPRET DIM AND TOL PER ASME Y14.5M - 1994		DESIGN BY: RH
DATE: 99/07/19	DRAWN BY: JGM	
DATE: 05/11/04	AUTH: DATE:	
THIRD ANGLE PROJECTION	AUTH: DATE:	
FILE NAME: \$FILE NAMES	SCALE: 1:1 (LBS/FT)	SHEET: 1 OF 1
ALLIANCE 2000		REV: NEW
NAME: WINDGATE CASEMENT		
SIZE DWG. NO: 141194CA		